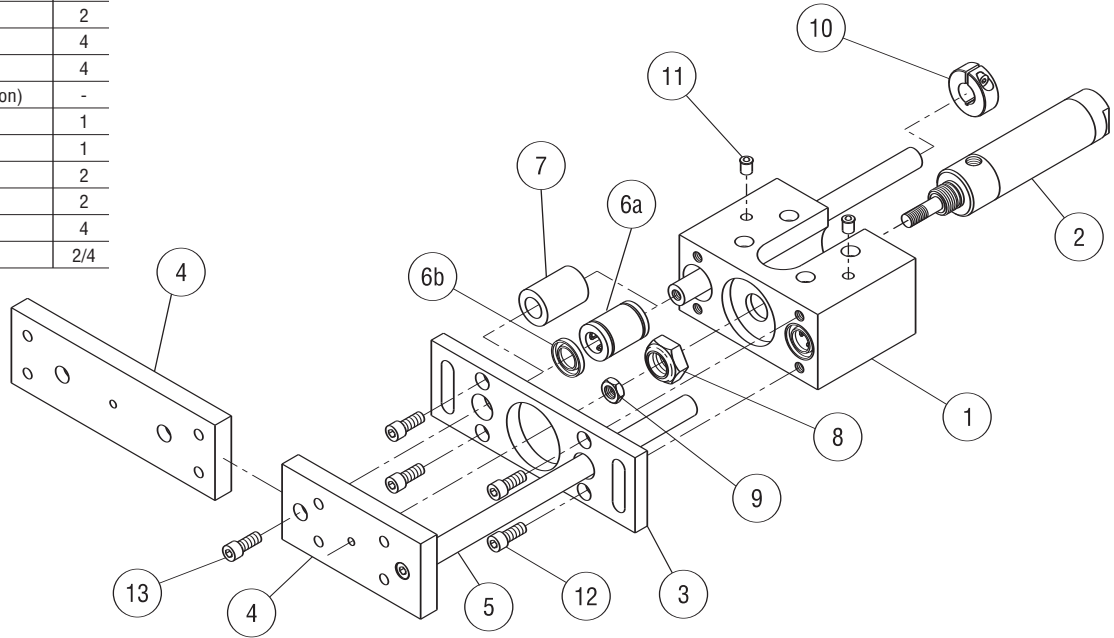


Parts List

Two & Four Shaft Linear Thrusters

ITEM	DESCRIPTION	QTY
1	Housing	1
2	Cylinder	1
3	Auxiliary Mounting Plate	1
4	Short Tooling Plate	1
4	Long Tooling Plate (Option)	-
5	Guide Shaft	2
6a	Linear Ball Bearing	4
6b	Shaft Seal	4
7	Composite Bearing (Option)	-
8	Cylinder Mounting Nut	1
9	Cylinder Rod Jam Nut	1
10	Shaft Collar	2
11	Oil Cover	2
12	Mounting Plate Screws	4
13	Tooling Plate Screws	2/4



Moveable Housing Linear Thrusters

ITEM	DESCRIPTION	QTY
1	Housing	1
2	Cylinder	1
3	Cylinder End Mounting Plate	1
4	End Mounting Plate	1
5a	Linear Ball Bearing	4
5b	Shaft Seal	4
6	Composite Bearing (Option)	-
7	Guide Shaft	2
8	Shaft Collar	2
9	Cylinder Mounting Nut	1
10	Cylinder Rod Jam Nut	1
11	Grease Fitting	2
12	Mounting Plate Screws	4

